

WUR2 Thermal Overload relay

1

AC Contactor



Applicable scope

Type WUR2 thermal overload relay used to AC Current 50Hz or 60Hz, Voltage up to 690V.

And suitable for three-phase or single-phase motor applications.

Provider class 10 protection and main functions including: Motor protection against overload and phase failure. Automatic and manual reset both included test and stop functions.

Conform to standard :IEC 60947-4-1 ,IEC 60947-5-1

Technical features

Type number	WUR2	
Rated insulated voltage V	WUR2-32	0.1-32A
	WUR2-93	23-93A
Rated impulse withstand	690V	
Voltage Uimp V	60000V	
Phase failure protection function	YES	
Automatic and manual reset	YES	
Temperature compensation	YES	
Tripping indicator	YES	
Test and stop push button	YES	
Mounting type	PLUG IN MOUNTING	
Frame protection degree	IP 20	
Standards	IEC 60947-4-1 ,IEC 60947-5-1	
Auxiliary contacts		
Contacts configuration	1NO+1NC	
Rated current (A) AC-15 220V	2.73	
Rated current (A) AC-15 380V	1.57	

WUR2 Thermal Overload relay

Contactor wiring

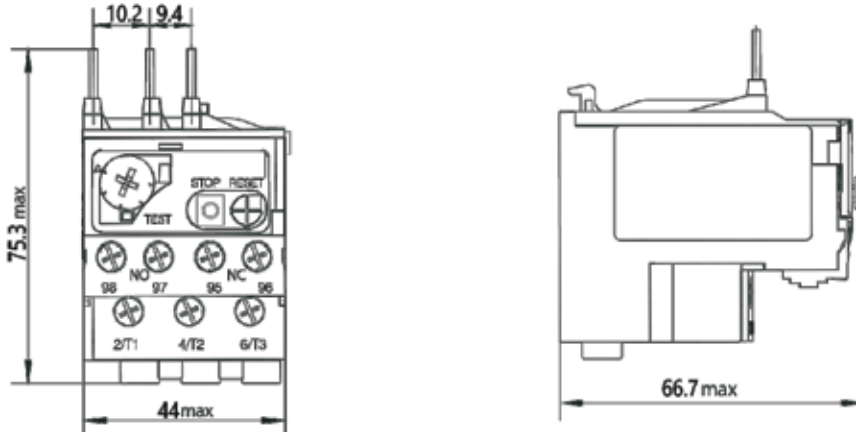
Contactor wiring			WUR2-32	WUR2-93
Cross section area of conductor mm ²	Main circuit	Single core or standard sired	4-10mm ²	4-35mm ²
		Wiring screw	M4	M10
	Auxiliary circuit	Single core or standard sired	0.5-25	0.5-25
		Wiring screw	M3.5	M3.5

Frame	Ref.No.	Rated current adjustable range (A)	Recommended fuse type		Matching for ac contactor (A)
			aM	gG	
WUR2-32-0.1-0.16	W606414	0.1-0.16	0.25	2	09-32A
WUR2-32-0.16-0.2	W608347	0.16-0.2	0.5	2	09-32A
WUR2-32-0.25-0.4	W608348	0.25-0.4		2	09-32A
WUR2-32-0.4-0.63	W608349	0.4-0.63		2	09-32A
WUR2-32-0.63-1	W608350	0.63-1	2	4	09-32A
WUR2-32-1-1.6	W608351	1-1.6	2	4	09-32A
WUR2-32-1.25-2	W608352	1.25-2	4	6	09-32A
WUR2-32-1.6-2.5	W608353	1.6-2.5	4	6	09-32A
WUR2-32-0.5-4	W608354	2.5-4	6	10	09-32A
WUR2-32-4-6	W608355	4-6	8	16	09-32A
WUR2-32-5.5-8	W608356	5.5-8	12	20	09-32A
WUR2-32-7-10	W608357	7-10	12	20	09-32A
WUR2-32-9-13	W608358	9-13	16	25	09-32A
WUR2-12-18	W608359	12-18	20	35	09-32A
WUR2-32-17-25	W608360	17-25	25	50	32A
WUR2-32-23-32	W608361	23-32	40	63	25-32A

Frame	Ref.No.	Rated current adjustable range (A)	Recommended fuse type		Matching for ac contactor (A)
			aM	gG	
WUR2-93-23-32	W606415	23-32	40	63	40A
WUR2-93-30-40	W608362	30-40	40	100	50A
WUR2-93-36-45	W608791	36-45	63	100	65A
WUR2-93-37-50	W608363	37-50	63	100	65A
WUR2-93-40-57	W608792	40-57	63	100	65A
WUR2-93-48-65	W608364	48-65	63	100	80A
WUR2-93-55-70	W608365	55-70	80	125	90A
WUR2-93-63-80	W608366	63-80	80	125	40-65A
WUR2-93-80-93	W608367	80-93	100	160	80-95A

WUR2 Thermal Overload relay

WUR2-32



WUR2-93

